

806101

SPECIFICATION SHEET

Description:

Single lamp monopoint with intricate detailed laser cut pattern.
Metal finish available in bronze.

Metal Finish(es):

BZ - Bronze

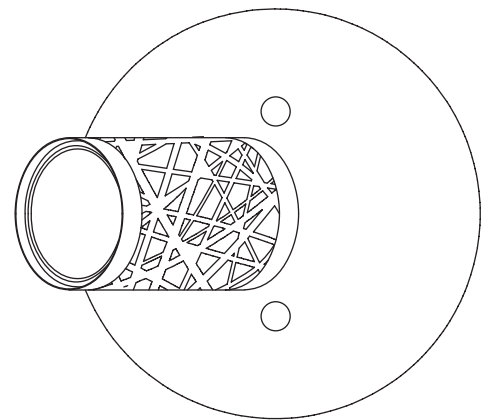
Shade Detail(s):

Laser Cut Pattern

Lamping:

1 x 50W, GU10, 120V

PROJECT:	
DATE:	TYPE:



5 - 1/2"

Metal Canopy
BZ - Bronze

Laser Cut
Pattern

1 x 50W
GU10 120V

5 - 3/4"